

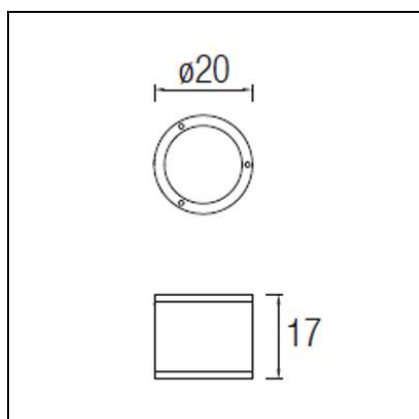
OUT

COSMOS

15-9365-34-T2



The photograph may not match the reference exactly. Please read the product description to identify the finish.

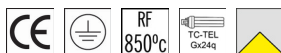


Description

Curved edge light unit. Frosted glass diffuser and injected aluminium body. Available in light grey and dark grey. Light source uses two GX24d-3 26W fluorescent lamps (not supplied). Includes BAG electronic fittings.

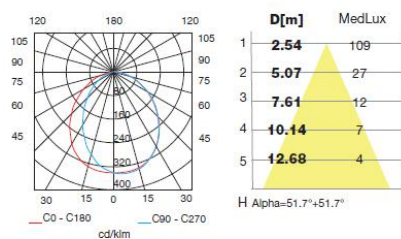
TECHNICAL CHARACTERISTICS

Type:	Ceiling fixture
IP Protection degrees:	IP65
IK Protection degrees:	IK08
Light source 1:	2 x GX24d3 26W
Voltage / Frequency:	230V/50Hz
Warranty (Years):	2
Units per box:	2
Net Weight (Kg):	3.03
EAN:	8435111069448

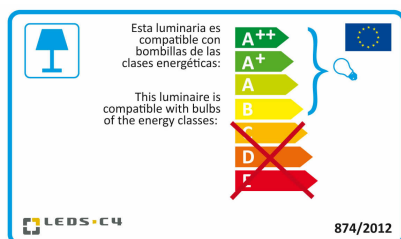


MATERIALS / FINISHES

Structure material:	High purity aluminium	Diffuser material:	Glass
Structure finish:	Grey	Diffuser finish:	Sandblasted



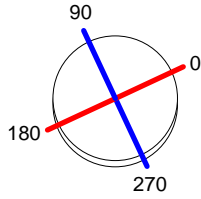
Download photometric file .ldt /.ies



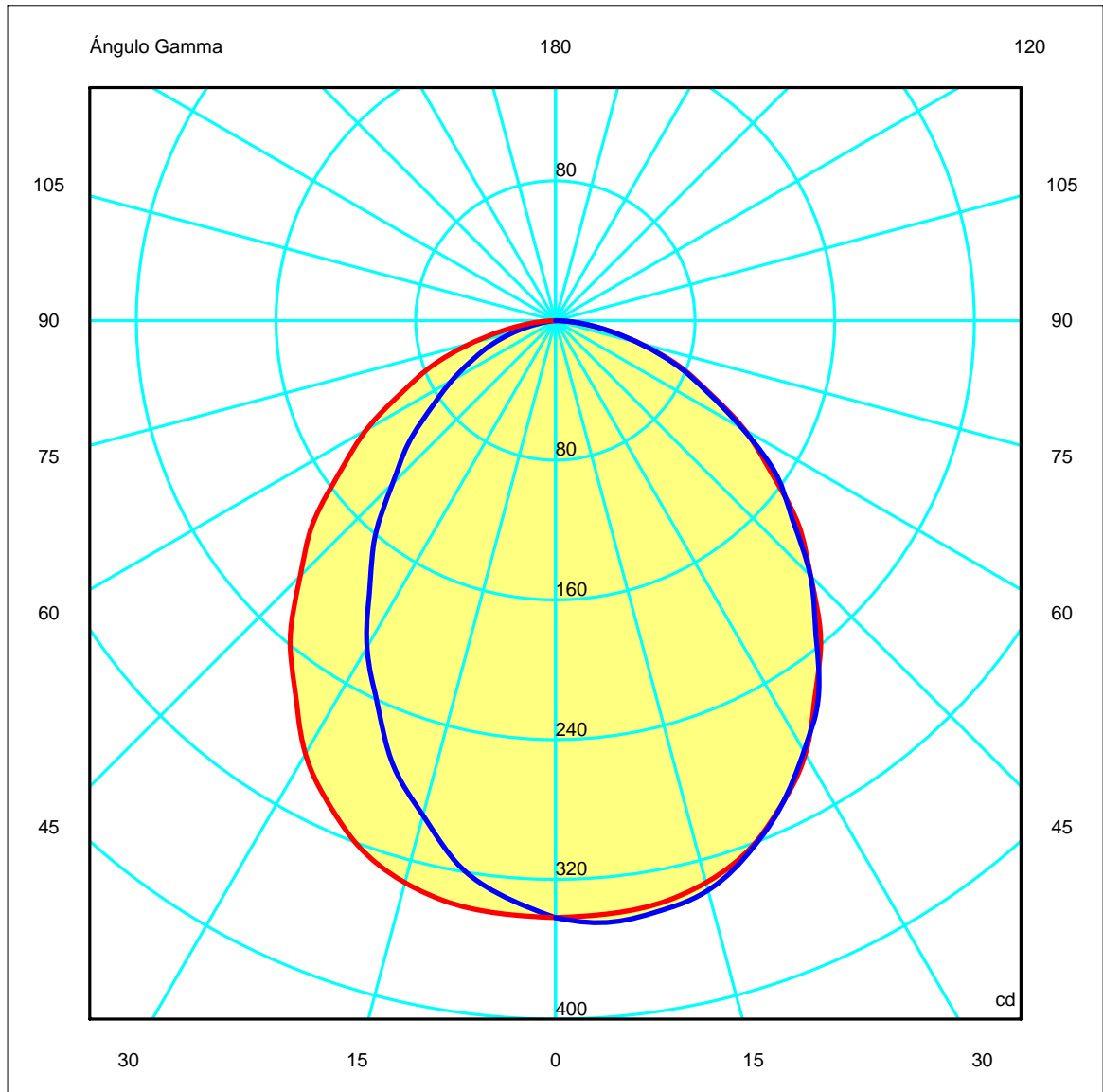
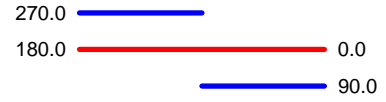
Click on image to download energy label

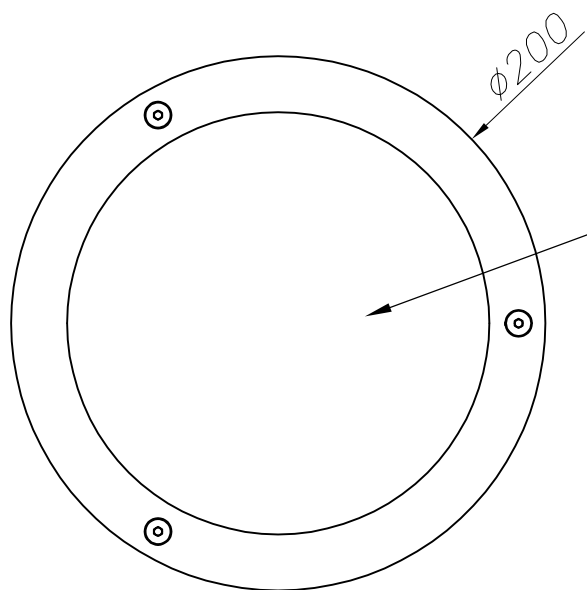
Luminaria		Ensayo		Lámpara	
Código	15-9365-34-T2	Código	15-9365-34-T2	Código	PL-T26W/830/2P
Nombre	Uplight COSMOS 2x26W TC-T opal	Nombre	Uplight COSMOS 2x26W TC-T opal	Número	2
Familia	- LEDS-C4	Fecha	03-09-2009	Posición	Universal
Eficiencia	22.49%	Sist. de Coorden.	C-G	Flujo Total	3600.00 lm
Valor Máximo	345.93 cd	Posición	C=90.00 G=5.00	Sim. en los planos	270-90

Diam=200mm

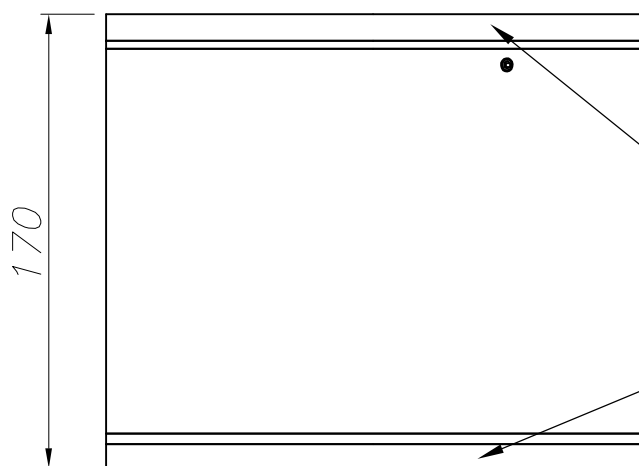


Semiplanos C



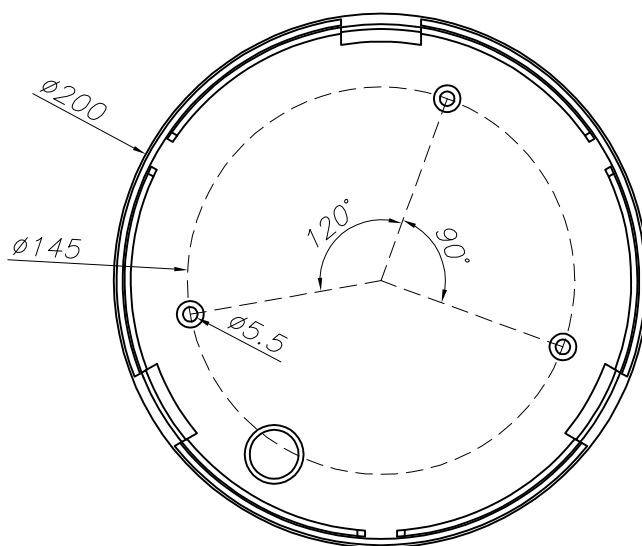


CRISTAL TRANSPARENTE
TRANSPARENT GLASS



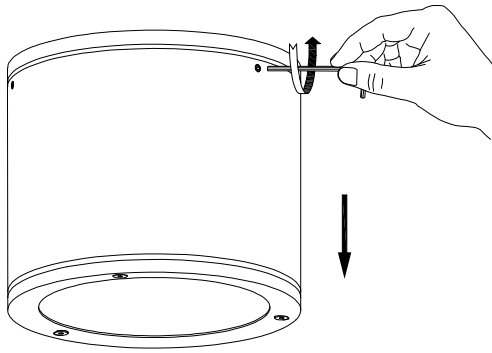
ALUMINIO EXTRUIDO
EXTRUDED ALUMINUM

ALUMINIO INYECTADO
INJECTED ALUMINIUM

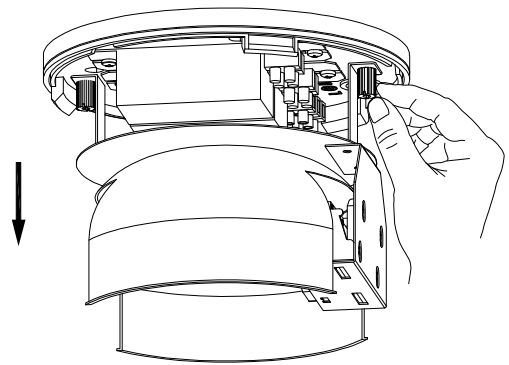


PLANTILLA DE INSTALACIÓN
INSTALLATION TEMPLATE

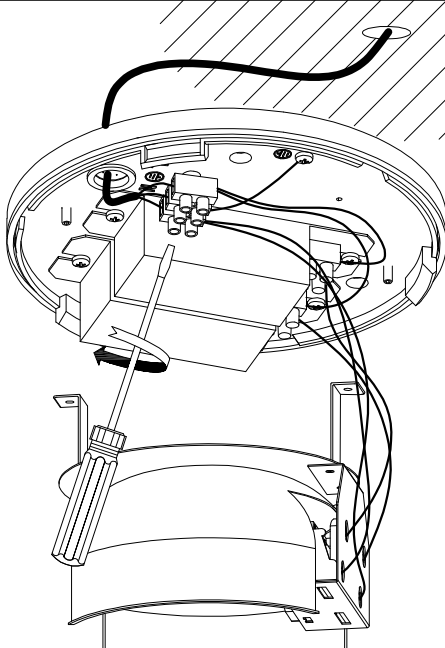
①



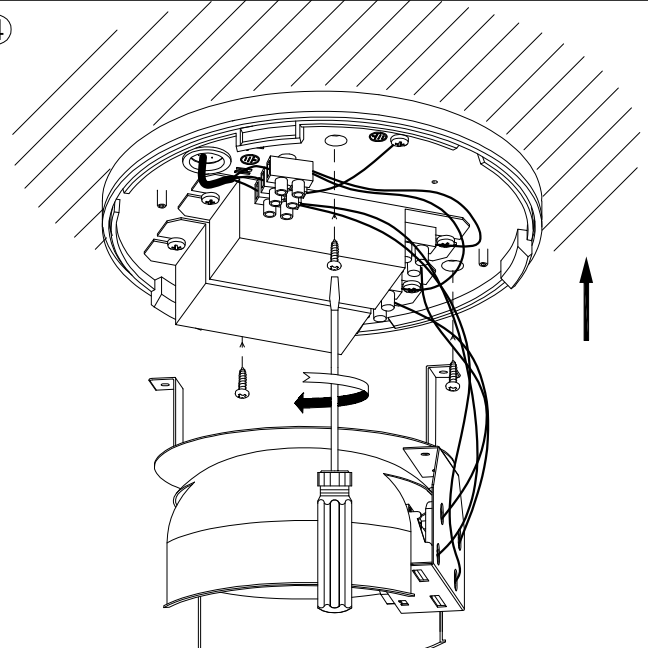
②



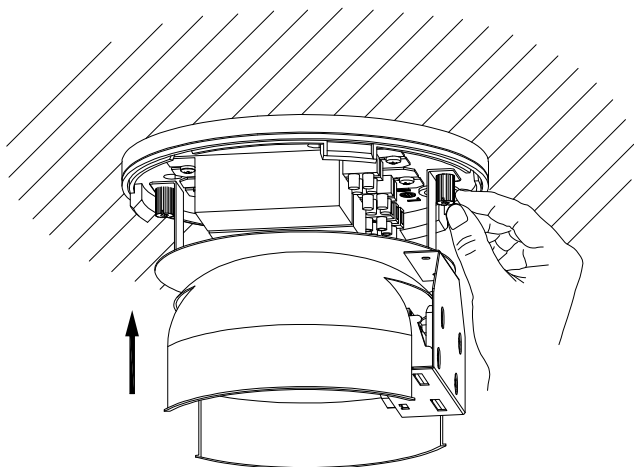
③



④



⑤



⑥

