



TECHNICAL CHARACTERISTICS

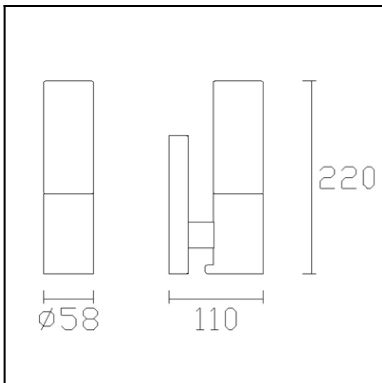
Type:	Wall fixture
IP Protection degrees:	IP44
Light source 1:	1 x E14 40W Maximum lamp length: 110.00 mm Maximum lamp diameter: 50.00 mm
Voltage / Frequency:	220-240V/50-60Hz
Warranty (Years):	2
Units per box:	6
Net Weight (Kg):	0.895
EAN:	8435111098707



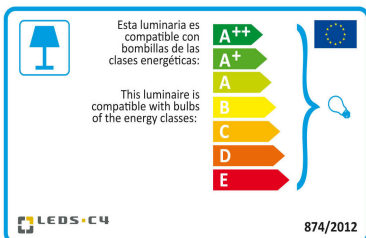
MATERIALS / FINISHES

Structure material:	Steel Zamak	Diffuser material:	Tempered glass
Structure finish:	Chrome	Diffuser finish:	Opal white

The photograph may not match the reference exactly. Please read the product description to identify the finish.



Download photometric file .ldt /.ies



Click on image to download energy label

Report No.: 05-1411

Test Time: 2012-12-7 10:24

Luminaire Property

Luminaire Manufacturer: LEDS-C4
 Luminaire Category: 05-1411
 Lamp Catalog: INCANDESCENT
 Number of Lamps: 1
 Luminous Length (mm): 58
 Luminous Height (mm): 220
 Current: 0.165 A
 Power Factor: 0.999

Luminaire Description: DRESDE ON
 Lamp Description: E14 40W
 Lumens per Lamp: 450
 Luminous Width (mm): 110
 Voltage: 220.7 V
 Power: 36.40 W

Photometric Results

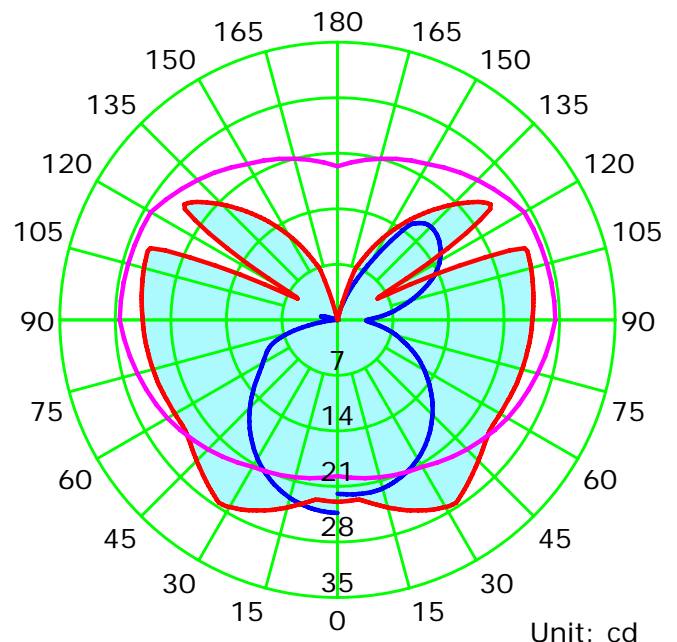
CIE Class: Semi-Direct
 Measurement Flux: 199.4 lm
 Downward Ratio: 26.95%
 Horizontal Diffuse Angle(10%,20%,50%,75%): H243.5,H234.2,H202.1,H172.2
 Vertical Diffuse Angle(10%,20%,50%,75%): V327.5,V323.6,V295,V269.8
 Luminaire Efficacy Rating (LER): 5
 Max. Intensity: 27.47 cd

Total Rated Lamp Lumens: 450.0 lm
 Efficiency: 44.31%
 Upward Ratio: 17.36%
 Central Intensity: 21.91 cd
 Pos of Max. Intensity: H90 V33

Picture Of Luminaire



Luminous Intensity Distribution Curve



Average Diffuse Angle(50%): 248.6°

— C0-C180 — C90-C270 — G33

C Plane (°):0.0-180.0: 30.0

Test Lab:

Test Type: TYPE C

Temperature:

Operator:

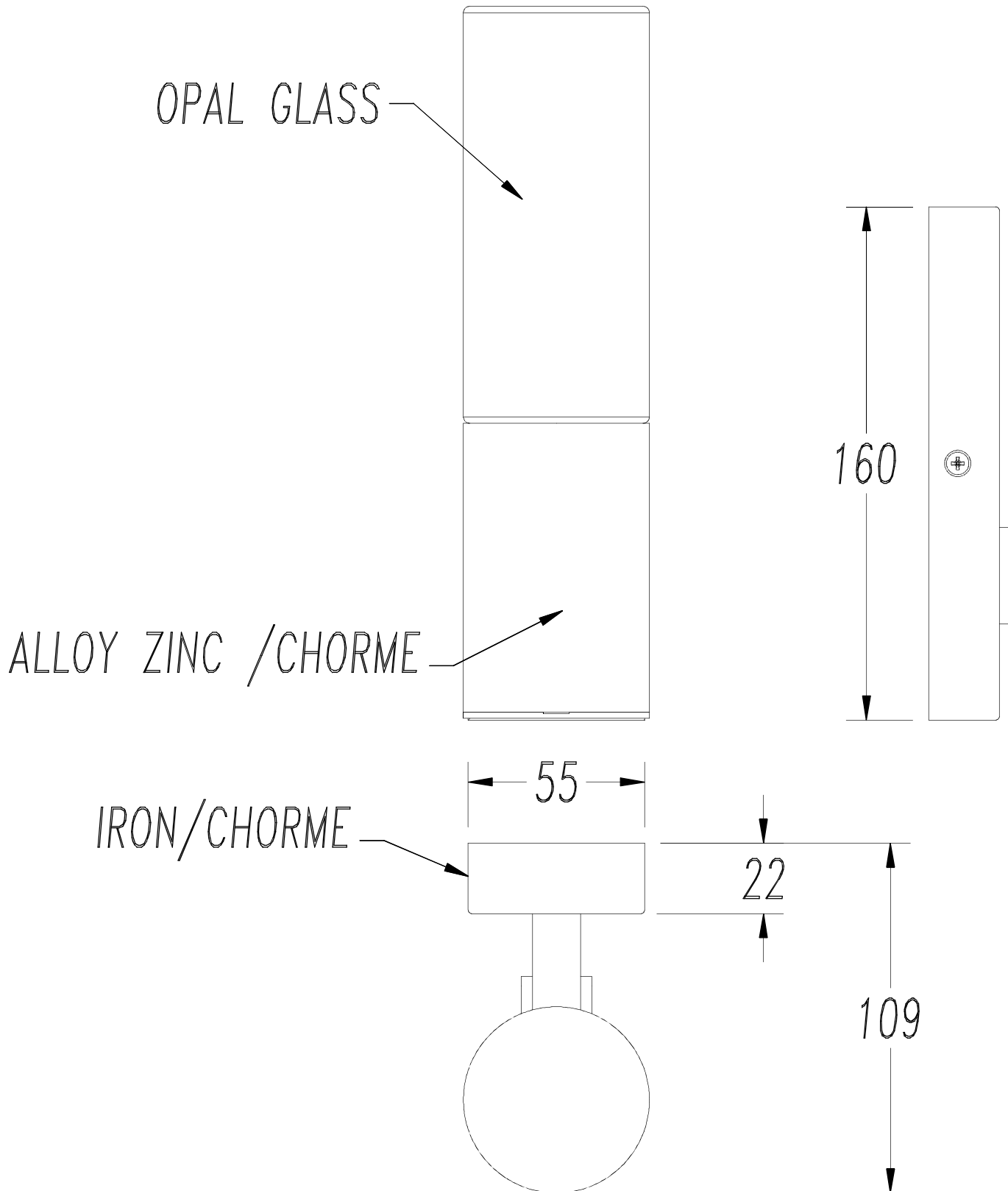
Gamma Plane (°):0.0-180.0:1.0

Test Device: GPM-1800B

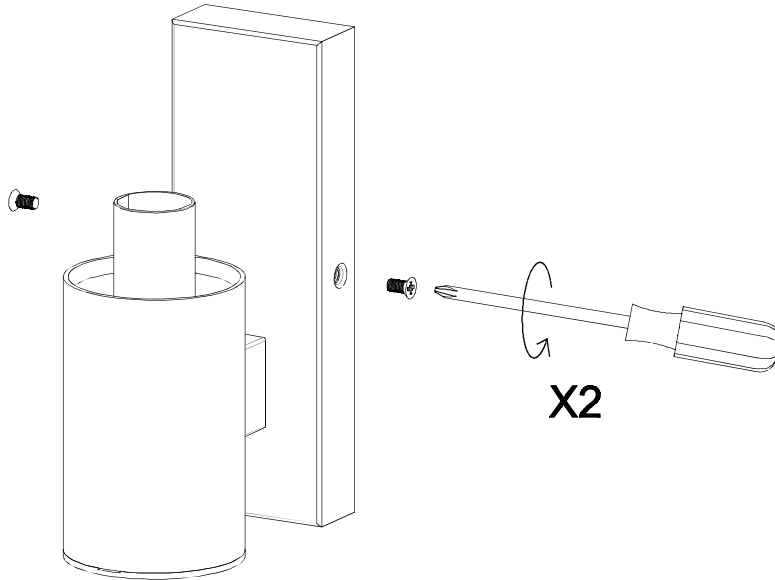
Distance: 5.107 m

Humidity:

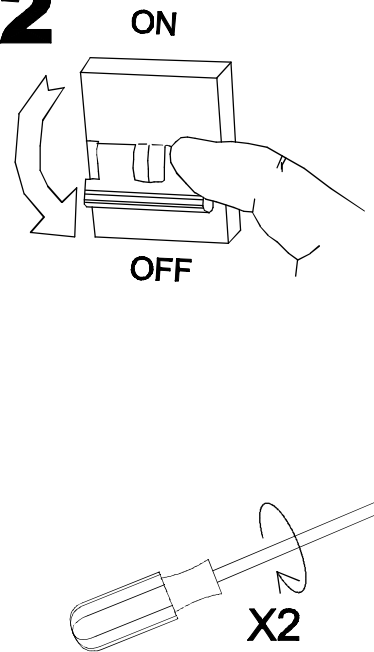
Inspector:



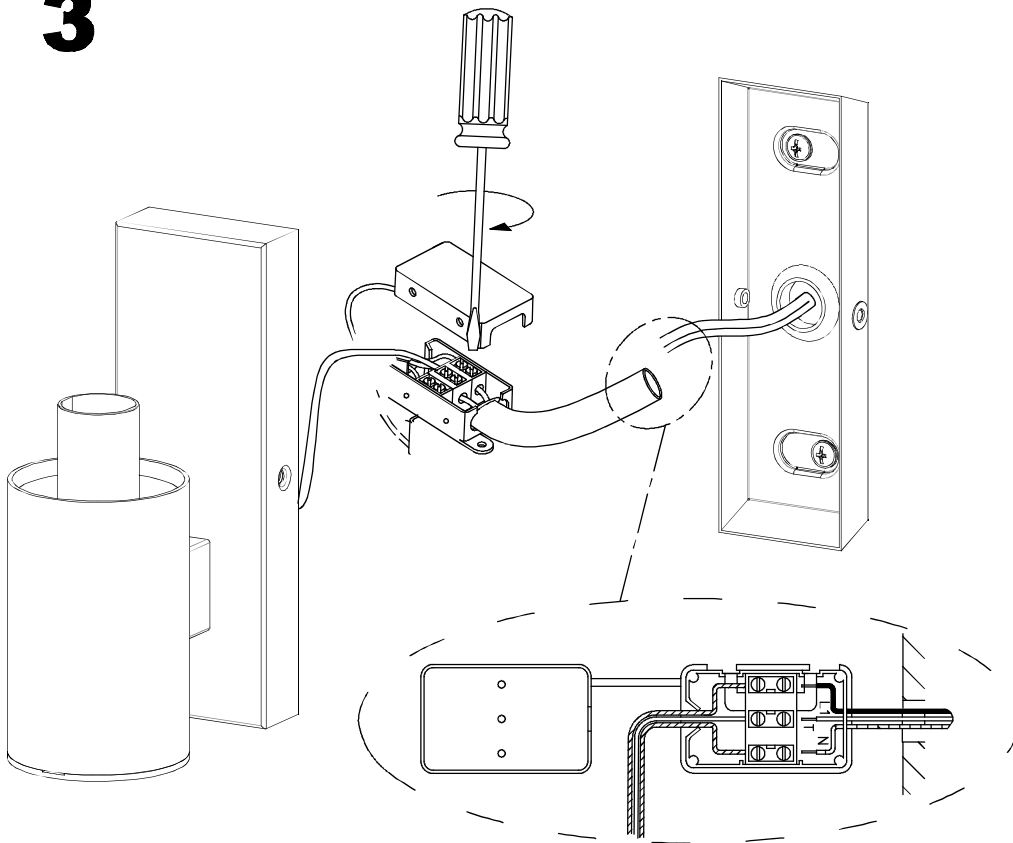
1



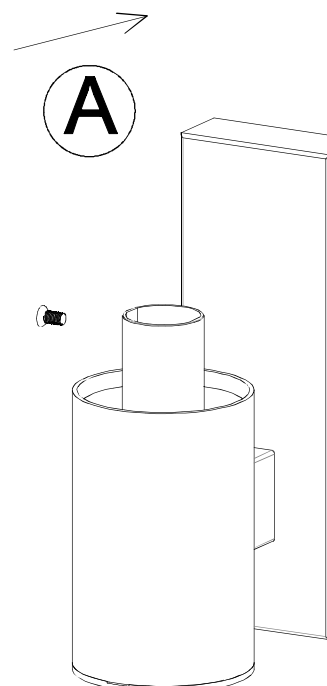
2



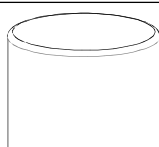
3



4



5



6

