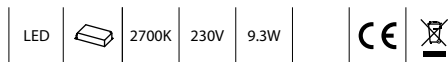


hector

Hector is a folded cone shaped powder coated steel lamp into which a graphic pattern has been cut. Hector is designed to be hung single or in group. The logic and function of the cut can be seen as darkness falls and its pattern spreads across the room. Hector is equipped with LED technology and is available in three sizes.

hector S

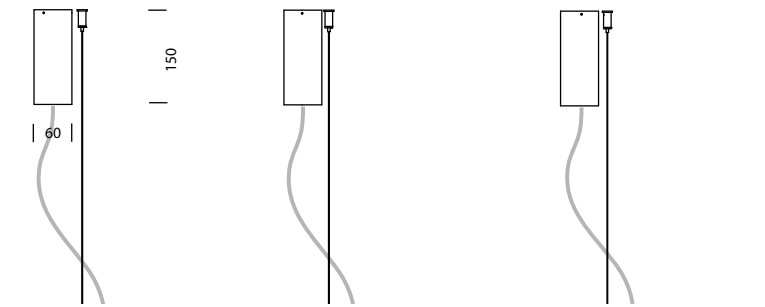


without pattern
black painted
white painted

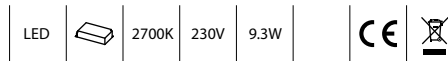
T91H1DZL
T91H1DWL

with pattern
black painted
white painted

T91H4DZL
T91H4DWL



hector M

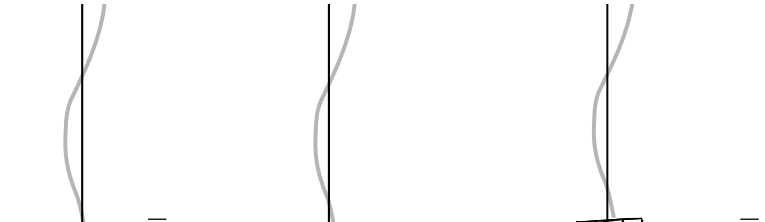


without pattern
black painted
white painted

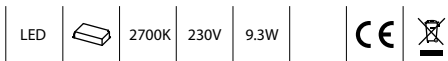
T91H2DZL
T91H2DWL

with pattern
black painted
white painted

T91H5DZL
T91H5DWL



hector L

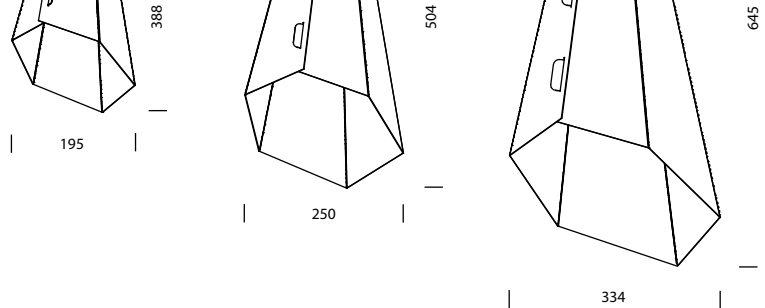


without pattern
black painted
white painted

T91H3DZL
T91H3DWL

with pattern
black painted
white painted

T91H6DZL
T91H6DWL



karveelstraat 2
8380 zeebrugge, belgium

T +32 (0)50 54 35 49
F +32 (0)50 54 35 40

E info@tossb.com
W www.tossb.com

tossB reserves the right to alter materials, dimensions and characteristics without prior notice. This documentation replaces all previous documentation. Read the installation-instructions carefully.

Our general terms and conditions shall apply notwithstanding any stipulation to the contrary to all the orders and agreements with tossB. You can obtain a copy of these conditions on demand.

Product documentation © tossB 2014. All rights reserved.