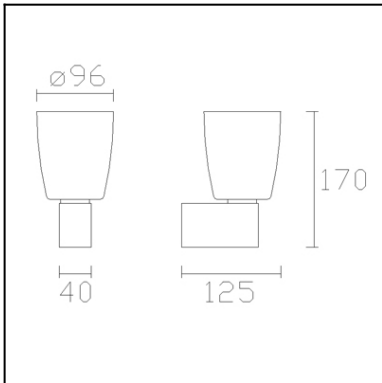




### TECHNICAL CHARACTERISTICS

Type:	Wall fixture
IP Protection degrees:	IP44
Light source 1:	1 x E14 40W Maximum lamp length: 50.00 mm Maximum lamp diameter: 110.00 mm
Total power consumption (W):	40
Voltage / Frequency:	220-240V/50-60Hz
Warranty (Years):	2
Units per box:	8
Net Weight (Kg):	0.69
EAN:	8435111098714

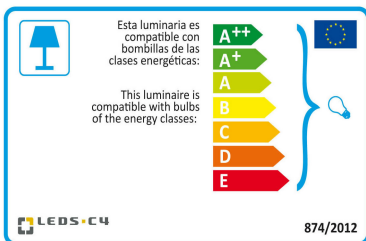
The photograph may not match the reference exactly. Please read the product description to identify the finish.



### MATERIALS / FINISHES

<b>Structure material:</b>	Zamak Steel	<b>Diffuser material:</b>	Tempered glass
<b>Structure finish:</b>	Chrome	<b>Diffuser finish:</b>	Opal white Transparent

Download photometric file .ldt /.ies



Click on image to download energy label

Report No.: 05-1383

Test Time: 2012-12-7 10:45

## Luminaire Property

Luminaire Manufacturer: LEDS-C4  
 Luminaire Category: 05-1383  
 Lamp Catalog: INCANDESCENT  
 Number of Lamps: 1  
 Luminous Length (mm): 96  
 Luminous Height (mm): 170  
 Current: 0.178 A  
 Power Factor: 0.999

Luminaire Description: ORION  
 Lamp Description: E14 40W  
 Lumens per Lamp: 450  
 Luminous Width (mm): 125  
 Voltage: 220.7 V  
 Power: 39.30 W

## Photometric Results

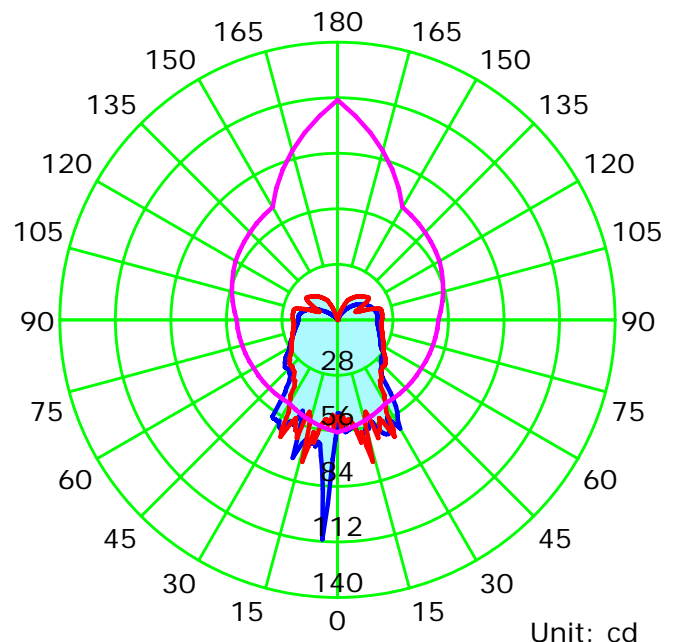
CIE Class: Semi-Direct  
 Measurement Flux: 290.7 lm  
 Downward Ratio: 44.92%  
 Horizontal Diffuse Angle(10%,20%,50%,75%): H260.8,H204.5,H79.3,H40.7  
 Vertical Diffuse Angle(10%,20%,50%,75%): V313.6,V284.1,V74.5,V55.4  
 Luminaire Efficacy Rating (LER): 7  
 Max. Intensity: 110.91 cd

Total Rated Lamp Lumens: 450.0 lm  
 Efficiency: 64.59%  
 Upward Ratio: 19.68%  
 Central Intensity: 47.05 cd  
 Pos of Max. Intensity: H180 V4

Picture Of Luminaire



Luminous Intensity Distribution Curve



Average Diffuse Angle(50%): 76.9°

— C0-C180 — C90-C270 — G4

C Plane (°):0.0-180.0: 30.0

Test Lab:

Test Type: TYPE C

Temperature:

Operator:

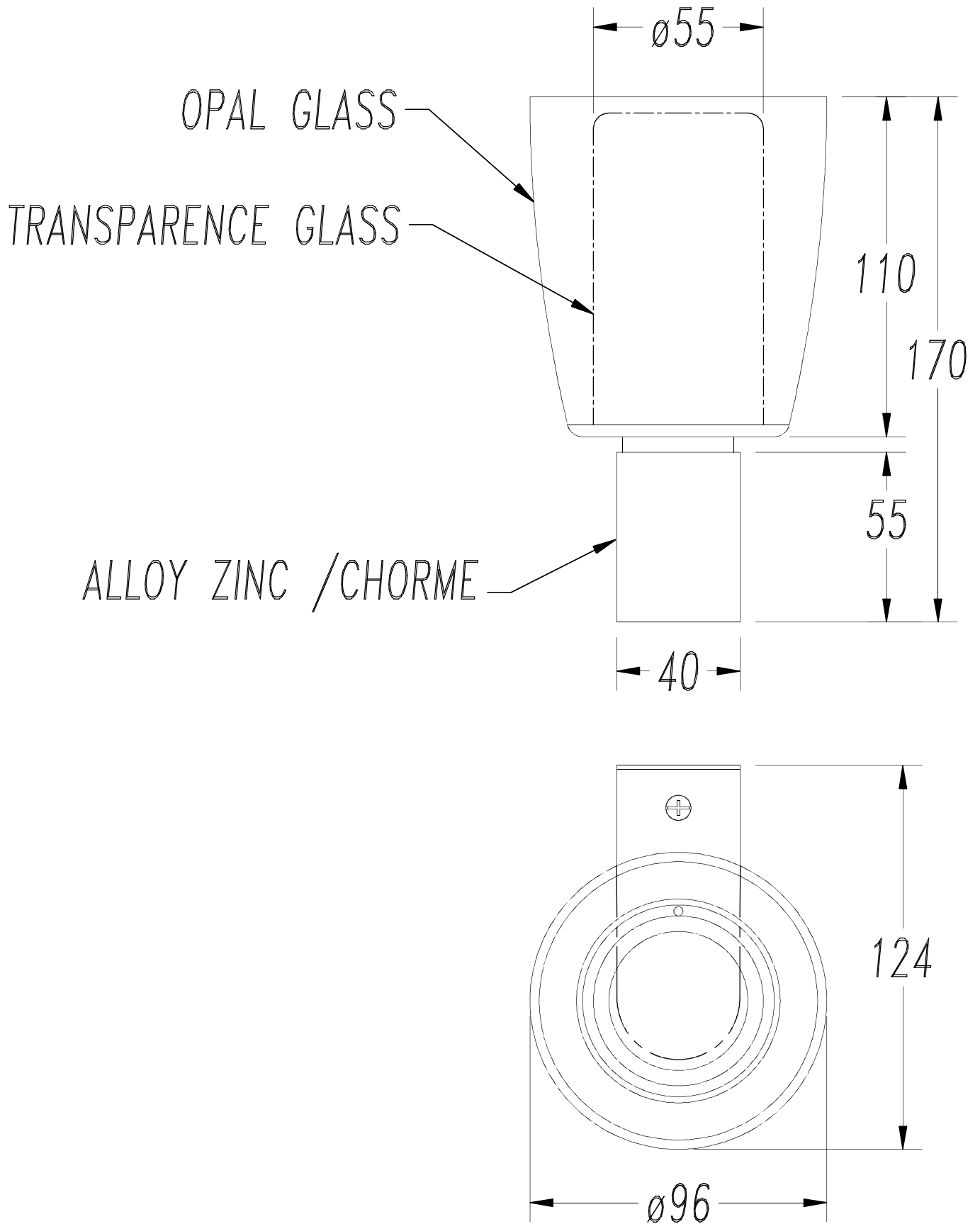
Gamma Plane (°):0.0-180.0:1.0

Test Device: GPM-1800B

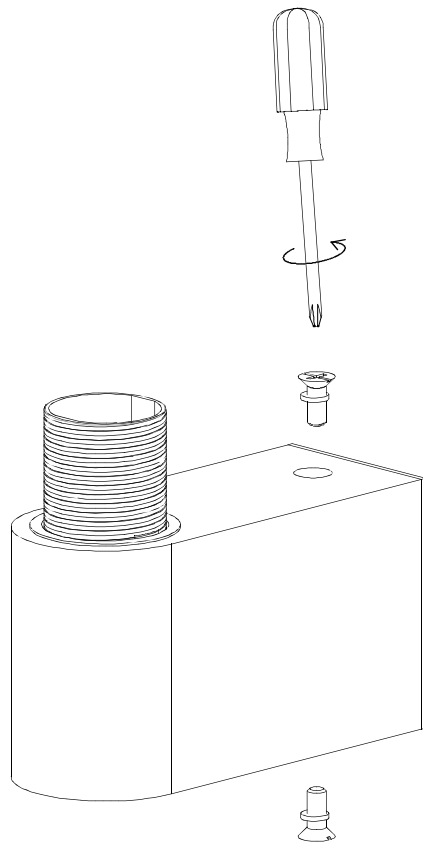
Distance: 5.107 m

Humidity:

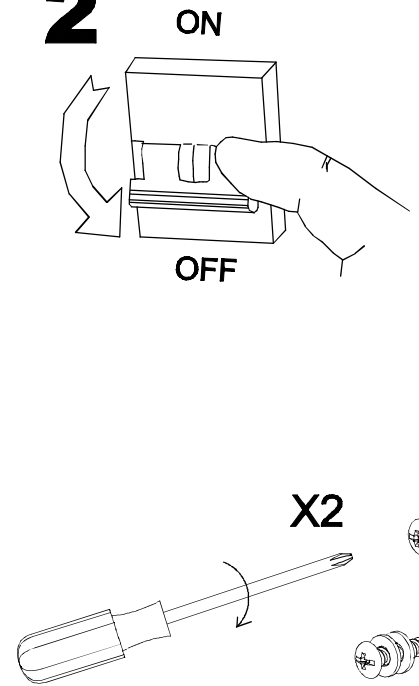
Inspector:



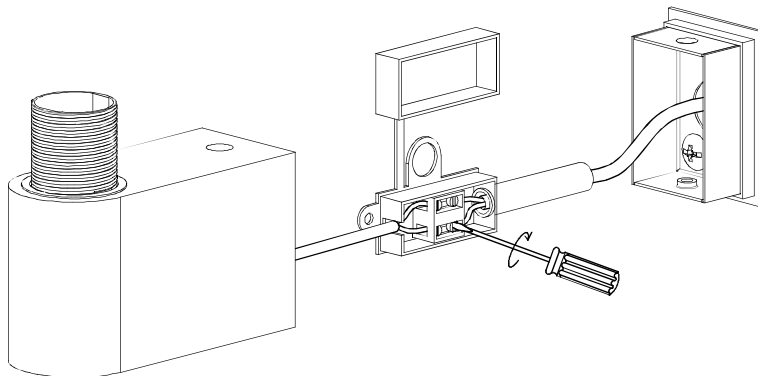
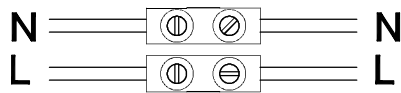
**1**



**2**

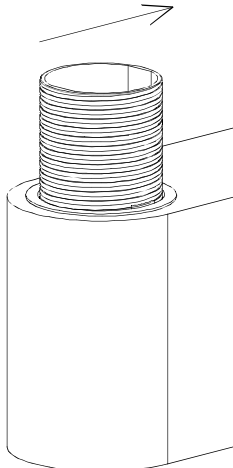


**3**

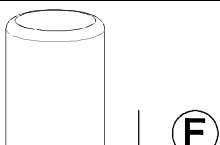


**4**

**A**



**5**



**6**