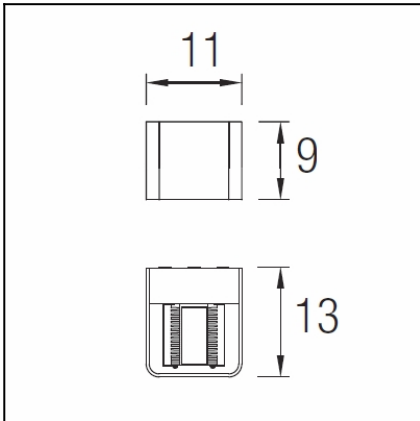


The photograph may not match the reference exactly. Please read the product description to identify the finish.



### TECHNICAL CHARACTERISTICS

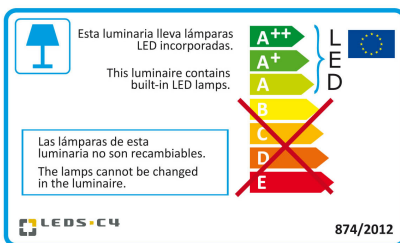
Type:	Wall fixture
IP Protection degrees:	IP65
IK Protection degrees:	IK08
Light source 1:	6 x LED Cree 6W Warm White - 3000K 642 lm <sup>(N)</sup> CRI 80
Total power consumption (W):	8.2
Voltage / Frequency:	100-240V/50-60Hz
Warranty (Years):	2
Option to extend the guarantee:	Yes, 5 Years
Units per box:	4
Net Weight (Kg):	0.98
EAN:	8435381400392



### MATERIALS / FINISHES

<b>Structure material:</b>	High purity aluminium	<b>Diffuser material:</b>	Glass
<b>Structure finish:</b>	Urban grey	<b>Diffuser finish:</b>	Matt

Download photometric file .ldt / .ies



Click on image to download energy label

### GEAR

Multi-voltage electronic gear included (110-240 V / 50-60 Hz)

Lm<sup>(N)</sup>: Nominal flow of light in actual working conditions. Its actual flow will depend on the environmental conditions and the efficiency of the optics and/or diffuser.

Report No.: 20130314006

Test Time: 2013-3-15 09:41

## Luminaire Property

Luminaire Manufacturer: LEDS-C4  
 Luminaire Category:  
 Lamp Catalog:  
 Number of Lamps: 6  
 Luminous Length (mm): 100  
 Luminous Height (mm): 35  
 Current: 0.076 A  
 Power Factor: 0.492

Luminaire Description: 05-9683  
 Lamp Description: LED  
 Lumens per Lamp: 100  
 Luminous Width (mm): 80  
 Voltage: 220.5 V  
 Power: 8.30 W

## Photometric Results

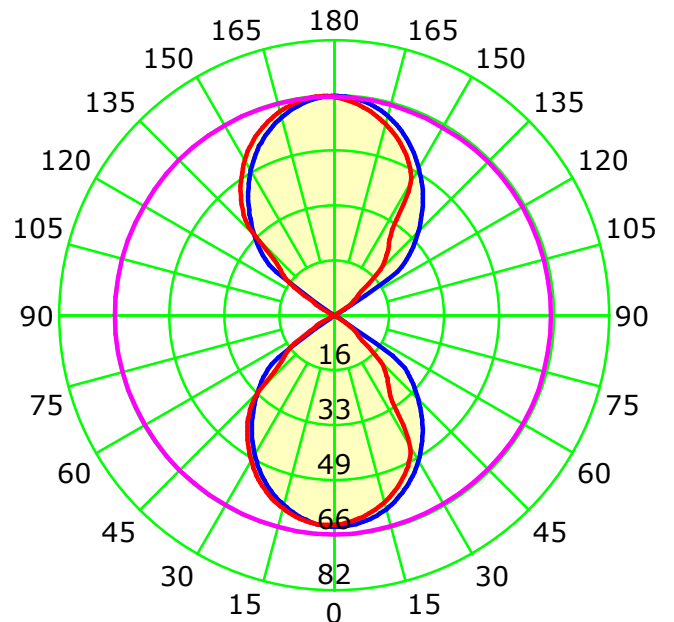
CIE Class: General Diffuse  
 Measurement Flux: 225 lm  
 Downward Ratio: 18.43%  
 Field Angle: H112.1 V113.4  
 Luminaire Efficacy Rating (LER): 27  
 Max. Intensity: 66.13 cd

Total Rated Lamp Lumens: 600.0 lm  
 Efficiency: 37.51%  
 Upward Ratio: 19.07%  
 Beam Angle: H92.4 V78.3  
 Central Intensity: 63.56 cd  
 Pos of Max. Intensity: H240 V177

Picture Of Luminaire ...



Luminous Intensity Distribution Curve

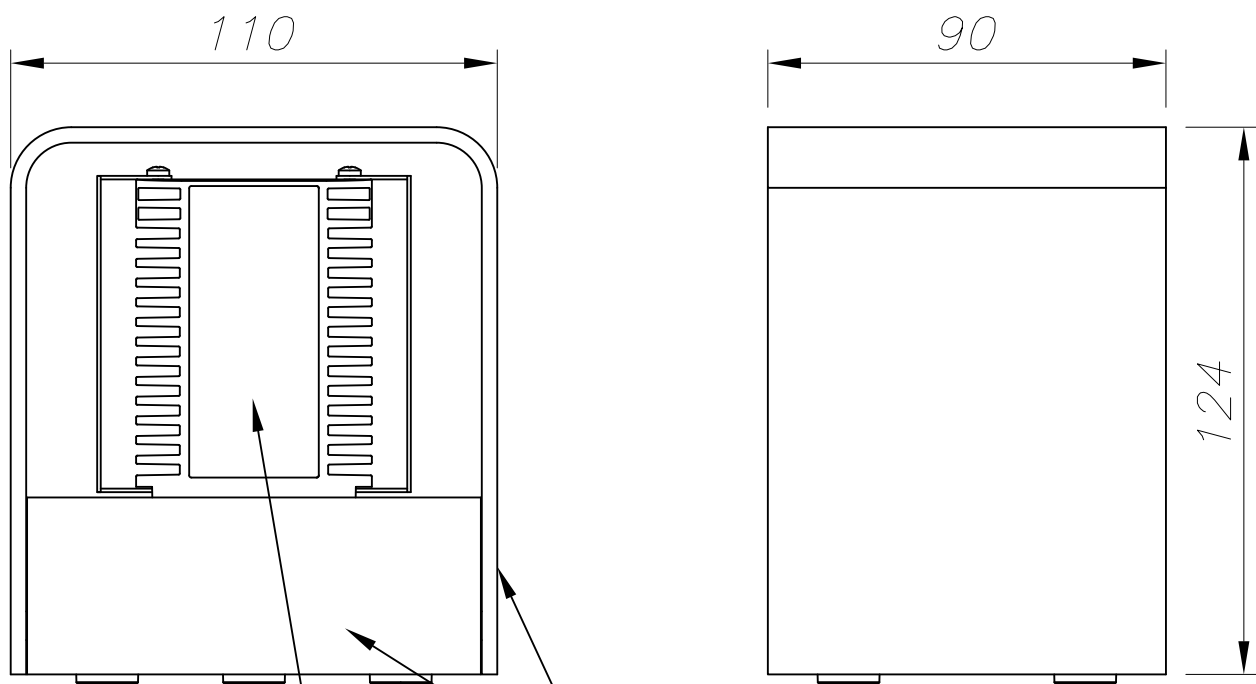


Unit: cd

— C0-C180 — C90-C270 — G177

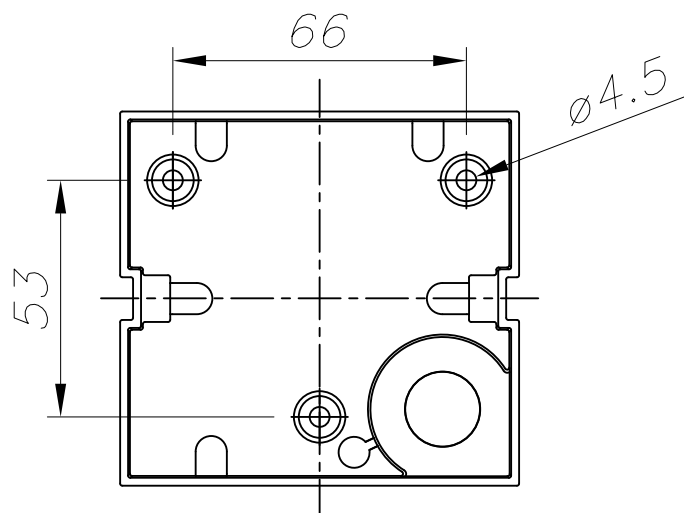
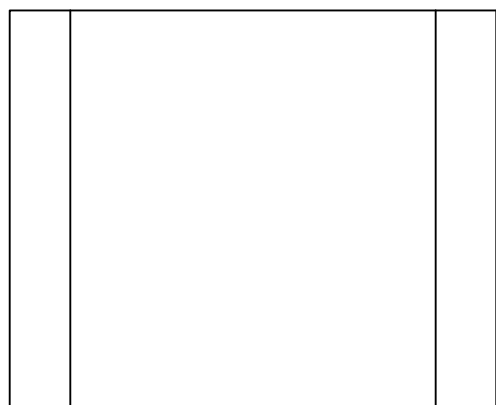
C Plane (°):0.0-360.0: 30.0  
 Test Lab: INVENTFINE  
 Test Type: TYPE C  
 Temperature:  
 Operator:

Gamma Plane (°):0.0-180.0:1.0  
 Test Device: GPM-1800B  
 Distance: 6.435 m  
 Humidity:  
 Inspector:



CRISTAL ARENADO INTERIOR  
SANDFROSTED GLASS INSIDE

ALUMINIO DE ALTA PUREZA  
HIGH QUALITY ALUMINIUM



PLANTILLA DE INSTALACIÓN  
INSTALLATION TEMPLATE

