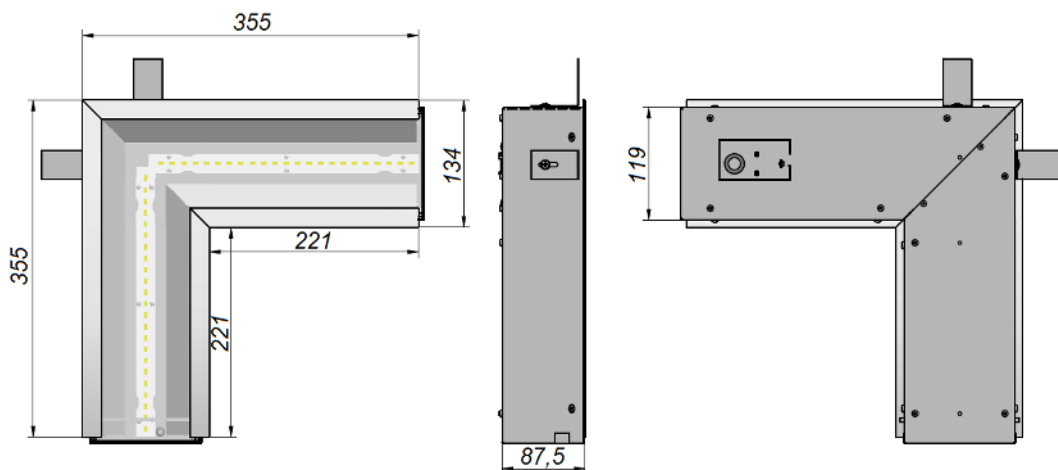


**Installation manual**  
**SIMPLE LED CORNER**



**220-240V/50-60Hz**  
**LED**

Power [W]	Weight [kg]
17	2,5 kg
31	2,6 kg



**1. Installation:**

- Deactivate power in the circuit which the luminaire is going to be connected to (Fig.1);
- Tilt back the plate with the connection terminal and pull the feeding cable through the gland as indicated on (Fig. 2);
- Connect the feeding cables as indicated on the connection terminal (Fig.3);
- Install the luminaire to the ceiling. Adjust the height of the bracket.

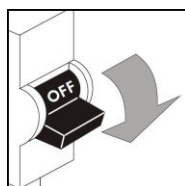


Fig.1

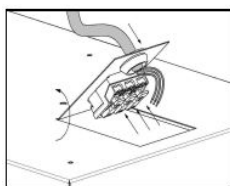


Fig.2

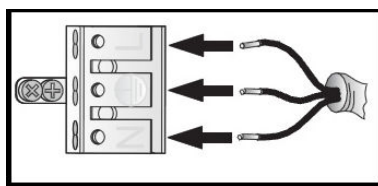


Fig.3



**Important warnings:**

**The luminaries may be installed by qualified registered personnel only.**

**Any manipulation inside the luminaire when the power is activated causes the risk of electric shock.**

**The manufacturer is not responsible for any flaws resulting from non-compliance with these instructions. The manufacturer reserves the right to change the construction of the product.**

**Do not install the luminaire in places without sufficient air circulation.**

**To guarantee safe luminaire functioning, please follow the instructions in the installation instructions.**



The European Directive 2002/96/EC on waste electrical and electronic equipment, requires that electric and electronic devices must not be disposed of in the normal household waste. The crossed out wheeled bin is reproduced in order to remind obligations towards separate collection. For correct disposal, please use authorized waste disposal facilities or return to the distributor at the date a new lighting fitting is purchased. Lamps, if disposed together with the lighting fitting, shall not be broken up since they contain substances which are highly polluting to the environment. Unauthorized disposal of the foregoing waste material is punishable by law.

