

Sigma II Track LED

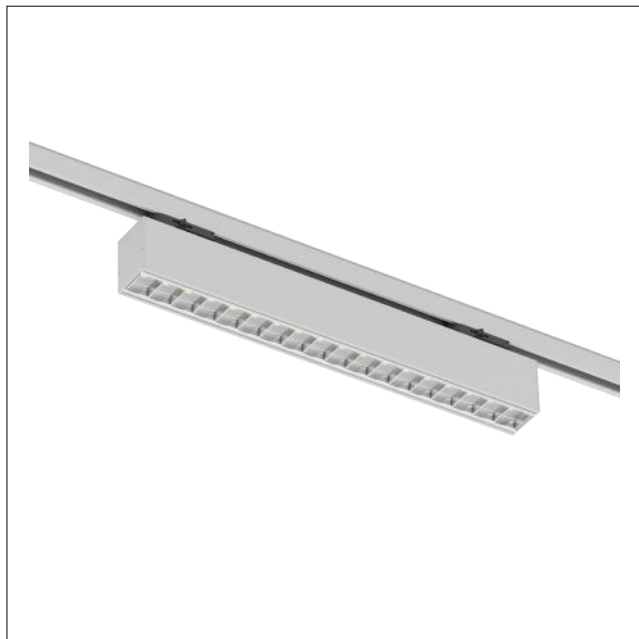


Luminaire belonging to the Sigma II LED family with built-in adapters for mounting to electrical tracks

Materials: Electrostatically painted aluminum profile (standard color: grey, white or black), parabolic louver with microprismatic plate (PAR), microprismatic diffuser (MPRM) made of PMMA or OPAL diffuser made of polycarbonate. End caps made of aluminium - in set.
NOTE: luminaires cannot be combined into lighting lines!

Installation: For electrical track

Power: 230 V



ELECTRICAL DATA

Light source	LED
Number of light sources	1
Type of equipment	AC
Voltage rating	220 ... 240 V
Light source included	Yes

MECHANICAL DATA

Type of installation	for tracks
Housing material	Aluminum
Electrical track connection	Yes

INFORMATION

Operating temperature range	-15 ... 40 °C
-----------------------------	---------------

CERTIFICATES

Degree of protection (IP)	IP20
Class of protection	I
CE	Yes
EAC	Yes

LIGHT DATA

Light colour	White
Light distribution	DI
Class of luminaire	I
Light output degradation	B10
Lumen maintenance	L80
Lifetime	> 72000 h
MacAdam	SDCM 3

OPTICAL DATA

Diffuser colour	White
Reflector	High gloss

AVAILABLE VARIANTS

Luminaire power [W]	Louver/shutter	Luminaire luminous flux [lm]	Luminaire's luminous efficacy [lm/W]	Colour temperature	Colour	Info	ON/OFF	DALI
13	OPAL	1120	86	3000K	White	545mm	HN001.1111.830.A000	HN001.1111.830.D000
13	OPAL	1130	87	4000K	White	545mm	HN001.1111.840.A000	HN001.1111.840.D000
13	OPAL	960	74	3000K	White	545mm	HN001.1111.930.A000	HN001.1111.930.D000
13	OPAL	970	75	4000K	White	545mm	HN001.1111.940.A000	HN001.1111.940.D000
13	MPRM	1210	93	3000K	White	545mm	HN001.1122.830.A000	HN001.1122.830.D000
13	MPRM	1230	95	4000K	White	545mm	HN001.1122.840.A000	HN001.1122.840.D000
13	MPRM	1030	79	3000K	White	545mm	HN001.1122.930.A000	HN001.1122.930.D000
13	MPRM	1050	81	4000K	White	545mm	HN001.1122.940.A000	HN001.1122.940.D000
14	PAR	1630	116	3000K	White	545mm	HN001.1133.830.A000	HN001.1133.830.D000
14	PAR	1660	119	4000K	White	545mm	HN001.1133.840.A000	HN001.1133.840.D000
14	PAR	1390	99	3000K	White	545mm	HN001.1133.930.A000	HN001.1133.930.D000

AVAILABE VARIANTS

Luminaire power [W]	Louver/shutter	Luminaire luminous flux [lm]	Luminaire's luminous efficacy [lm/W]	Colour temperature	Colour	Info	ON/OFF	DALI
14	PAR	1420	101	4000K	White	545mm	HN001.1133.940.A000	HN001.1133.940.D000
13	OPAL	1120	86	3000K	Grey	545mm	HN001.2211.830.A000	HN001.2211.830.D000
13	OPAL	1130	87	4000K	Grey	545mm	HN001.2211.840.A000	HN001.2211.840.D000
13	OPAL	960	74	3000K	Grey	545mm	HN001.2211.930.A000	HN001.2211.930.D000
13	OPAL	970	75	4000K	Grey	545mm	HN001.2211.940.A000	HN001.2211.940.D000
13	MPRM	1210	93	3000K	Grey	545mm	HN001.2222.830.A000	HN001.2222.830.D000
13	MPRM	1230	95	4000K	Grey	545mm	HN001.2222.840.A000	HN001.2222.840.D000
13	MPRM	1030	79	3000K	Grey	545mm	HN001.2222.930.A000	HN001.2222.930.D000
13	MPRM	1050	81	4000K	Grey	545mm	HN001.2222.940.A000	HN001.2222.940.D000
14	PAR	1630	116	3000K	Grey	545mm	HN001.2233.830.A000	HN001.2233.830.D000
14	PAR	1660	119	4000K	Grey	545mm	HN001.2233.840.A000	HN001.2233.840.D000
14	PAR	1390	99	3000K	Grey	545mm	HN001.2233.930.A000	HN001.2233.930.D000
14	PAR	1420	101	4000K	Grey	545mm	HN001.2233.940.A000	HN001.2233.940.D000
13	OPAL	1120	86	3000K	Black	545mm	HN001.3311.830.A000	HN001.3311.830.D000
13	OPAL	1130	87	4000K	Black	545mm	HN001.3311.840.A000	HN001.3311.840.D000
13	OPAL	960	74	3000K	Black	545mm	HN001.3311.930.A000	HN001.3311.930.D000
13	OPAL	970	75	4000K	Black	545mm	HN001.3311.940.A000	HN001.3311.940.D000
13	MPRM	1210	93	3000K	Black	545mm	HN001.3322.830.A000	HN001.3322.830.D000
13	MPRM	1230	95	4000K	Black	545mm	HN001.3322.840.A000	HN001.3322.840.D000
13	MPRM	1030	79	3000K	Black	545mm	HN001.3322.930.A000	HN001.3322.930.D000
13	MPRM	1050	81	4000K	Black	545mm	HN001.3322.940.A000	HN001.3322.940.D000
14	PAR	1630	116	3000K	Black	545mm	HN001.3333.830.A000	HN001.3333.830.D000
14	PAR	1660	119	4000K	Black	545mm	HN001.3333.840.A000	HN001.3333.840.D000
14	PAR	1390	99	3000K	Black	545mm	HN001.3333.930.A000	HN001.3333.930.D000
14	PAR	1420	101	4000K	Black	545mm	HN001.3333.940.A000	HN001.3333.940.D000
25	OPAL	2330	93	3000K	White	1085mm	HN002.1111.830.A000	HN002.1111.830.D000
25	OPAL	2380	95	4000K	White	1085mm	HN002.1111.840.A000	HN002.1111.840.D000
25	OPAL	1990	80	3000K	White	1085mm	HN002.1111.930.A000	HN002.1111.930.D000
25	OPAL	2030	81	4000K	White	1085mm	HN002.1111.940.A000	HN002.1111.940.D000
25	MPRM	2510	100	3000K	White	1085mm	HN002.1122.830.A000	HN002.1122.830.D000
25	MPRM	2560	102	4000K	White	1085mm	HN002.1122.840.A000	HN002.1122.840.D000
25	MPRM	2140	86	3000K	White	1085mm	HN002.1122.930.A000	HN002.1122.930.D000
25	MPRM	2180	87	4000K	White	1085mm	HN002.1122.940.A000	HN002.1122.940.D000
27	PAR	3250	120	3000K	White	1085mm	HN002.1133.830.A000	HN002.1133.830.D000
27	PAR	3320	123	4000K	White	1085mm	HN002.1133.840.A000	HN002.1133.840.D000
27	PAR	2770	103	3000K	White	1085mm	HN002.1133.930.A000	HN002.1133.930.D000
27	PAR	2830	105	4000K	White	1085mm	HN002.1133.940.A000	HN002.1133.940.D000
25	OPAL	2330	93	3000K	Grey	1085mm	HN002.2211.830.A000	HN002.2211.830.D000
25	OPAL	2380	95	4000K	Grey	1085mm	HN002.2211.840.A000	HN002.2211.840.D000
25	OPAL	1990	80	3000K	Grey	1085mm	HN002.2211.930.A000	HN002.2211.930.D000
25	OPAL	2030	81	4000K	Grey	1085mm	HN002.2211.940.A000	HN002.2211.940.D000
25	MPRM	2510	100	3000K	Grey	1085mm	HN002.2222.830.A000	HN002.2222.830.D000
25	MPRM	2560	102	4000K	Grey	1085mm	HN002.2222.840.A000	HN002.2222.840.D000
25	MPRM	2140	86	3000K	Grey	1085mm	HN002.2222.930.A000	HN002.2222.930.D000
25	MPRM	2180	87	4000K	Grey	1085mm	HN002.2222.940.A000	HN002.2222.940.D000
27	PAR	3250	120	3000K	Grey	1085mm	HN002.2233.830.A000	HN002.2233.830.D000
27	PAR	3320	123	4000K	Grey	1085mm	HN002.2233.840.A000	HN002.2233.840.D000
27	PAR	2770	103	3000K	Grey	1085mm	HN002.2233.930.A000	HN002.2233.930.D000
27	PAR	2830	105	4000K	Grey	1085mm	HN002.2233.940.A000	HN002.2233.940.D000
25	OPAL	2330	93	3000K	Black	1085mm	HN002.3311.830.A000	HN002.3311.830.D000
25	OPAL	2380	95	4000K	Black	1085mm	HN002.3311.840.A000	HN002.3311.840.D000
25	OPAL	1990	80	3000K	Black	1085mm	HN002.3311.930.A000	HN002.3311.930.D000

AVAILABLE VARIANTS

Luminaire power [W]	Louver/shutter	Luminaire luminous flux [lm]	Luminaire's luminous efficacy [lm/W]	Colour temperature	Colour	Info	ON/OFF	DALI
25	OPAL	2030	81	4000K	Black	1085mm	HN002.3311.940.A000	HN002.3311.940.D000
25	MPRM	2510	100	3000K	Black	1085mm	HN002.3322.830.A000	HN002.3322.830.D000
25	MPRM	2560	102	4000K	Black	1085mm	HN002.3322.840.A000	HN002.3322.840.D000
25	MPRM	2140	86	3000K	Black	1085mm	HN002.3322.930.A000	HN002.3322.930.D000
25	MPRM	2180	87	4000K	Black	1085mm	HN002.3322.940.A000	HN002.3322.940.D000
27	PAR	3250	120	3000K	Black	1085mm	HN002.3333.830.A000	HN002.3333.830.D000
27	PAR	3320	123	4000K	Black	1085mm	HN002.3333.840.A000	HN002.3333.840.D000
27	PAR	2770	103	3000K	Black	1085mm	HN002.3333.930.A000	HN002.3333.930.D000
27	PAR	2830	105	4000K	Black	1085mm	HN002.3333.940.A000	HN002.3333.940.D000
36	OPAL	3610	100	3000K	White	1625mm	HN003.1111.830.A000	HN003.1111.830.D000
36	OPAL	3680	102	4000K	White	1625mm	HN003.1111.840.A000	HN003.1111.840.D000
36	OPAL	3070	85	3000K	White	1625mm	HN003.1111.930.A000	HN003.1111.930.D000
36	OPAL	3130	87	4000K	White	1625mm	HN003.1111.940.A000	HN003.1111.940.D000
36	MPRM	3860	107	3000K	White	1625mm	HN003.1122.830.A000	HN003.1122.830.D000
36	MPRM	3940	109	4000K	White	1625mm	HN003.1122.840.A000	HN003.1122.840.D000
36	MPRM	3290	91	3000K	White	1625mm	HN003.1122.930.A000	HN003.1122.930.D000
36	MPRM	3350	93	4000K	White	1625mm	HN003.1122.940.A000	HN003.1122.940.D000
40	PAR	4880	122	3000K	White	1625mm	HN003.1133.830.A000	HN003.1133.830.D000
40	PAR	4980	125	4000K	White	1625mm	HN003.1133.840.A000	HN003.1133.840.D000
40	PAR	4150	104	3000K	White	1625mm	HN003.1133.930.A000	HN003.1133.930.D000
40	PAR	4240	106	4000K	White	1625mm	HN003.1133.940.A000	HN003.1133.940.D000
36	OPAL	3610	100	3000K	Grey	1625mm	HN003.2211.830.A000	HN003.2211.830.D000
36	OPAL	3680	102	4000K	Grey	1625mm	HN003.2211.840.A000	HN003.2211.840.D000
36	OPAL	3070	85	3000K	Grey	1625mm	HN003.2211.930.A000	HN003.2211.930.D000
36	OPAL	3130	87	4000K	Grey	1625mm	HN003.2211.940.A000	HN003.2211.940.D000
36	MPRM	3860	107	3000K	Grey	1625mm	HN003.2222.830.A000	HN003.2222.830.D000
36	MPRM	3940	109	4000K	Grey	1625mm	HN003.2222.840.A000	HN003.2222.840.D000
36	MPRM	3290	91	3000K	Grey	1625mm	HN003.2222.930.A000	HN003.2222.930.D000
36	MPRM	3350	93	4000K	Grey	1625mm	HN003.2222.940.A000	HN003.2222.940.D000
40	PAR	4880	122	3000K	Grey	1625mm	HN003.2233.830.A000	HN003.2233.830.D000
40	PAR	4980	125	4000K	Grey	1625mm	HN003.2233.840.A000	HN003.2233.840.D000
40	PAR	4150	104	3000K	Grey	1625mm	HN003.2233.930.A000	HN003.2233.930.D000
40	PAR	4240	106	4000K	Grey	1625mm	HN003.2233.940.A000	HN003.2233.940.D000
36	OPAL	3610	100	3000K	Black	1625mm	HN003.3311.830.A000	HN003.3311.830.D000
36	OPAL	3680	102	4000K	Black	1625mm	HN003.3311.840.A000	HN003.3311.840.D000
36	OPAL	3070	85	3000K	Black	1625mm	HN003.3311.930.A000	HN003.3311.930.D000
36	OPAL	3130	87	4000K	Black	1625mm	HN003.3311.940.A000	HN003.3311.940.D000
36	MPRM	3860	107	3000K	Black	1625mm	HN003.3322.830.A000	HN003.3322.830.D000
36	MPRM	3940	109	4000K	Black	1625mm	HN003.3322.840.A000	HN003.3322.840.D000
36	MPRM	3290	91	3000K	Black	1625mm	HN003.3322.930.A000	HN003.3322.930.D000
36	MPRM	3350	93	4000K	Black	1625mm	HN003.3322.940.A000	HN003.3322.940.D000
40	PAR	4880	122	3000K	Black	1625mm	HN003.3333.830.A000	HN003.3333.830.D000
40	PAR	4980	125	4000K	Black	1625mm	HN003.3333.840.A000	HN003.3333.840.D000
40	PAR	4150	104	3000K	Black	1625mm	HN003.3333.930.A000	HN003.3333.930.D000
40	PAR	4240	106	4000K	Black	1625mm	HN003.3333.940.A000	HN003.3333.940.D000

