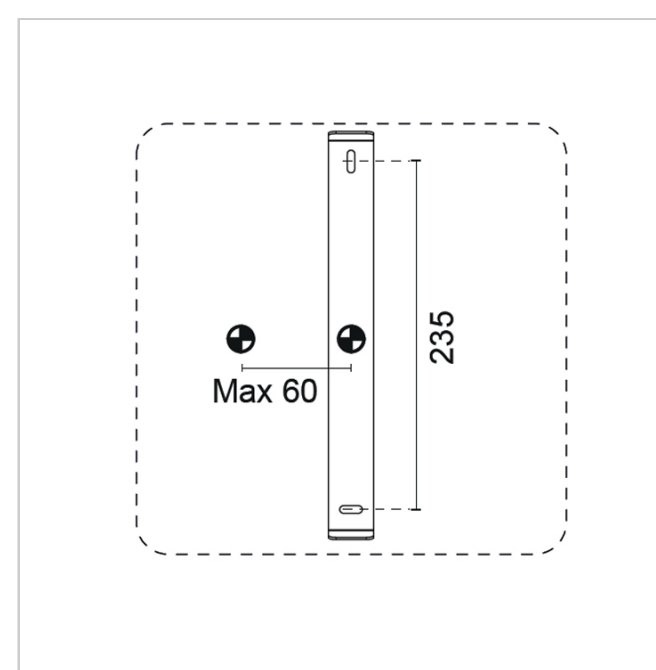
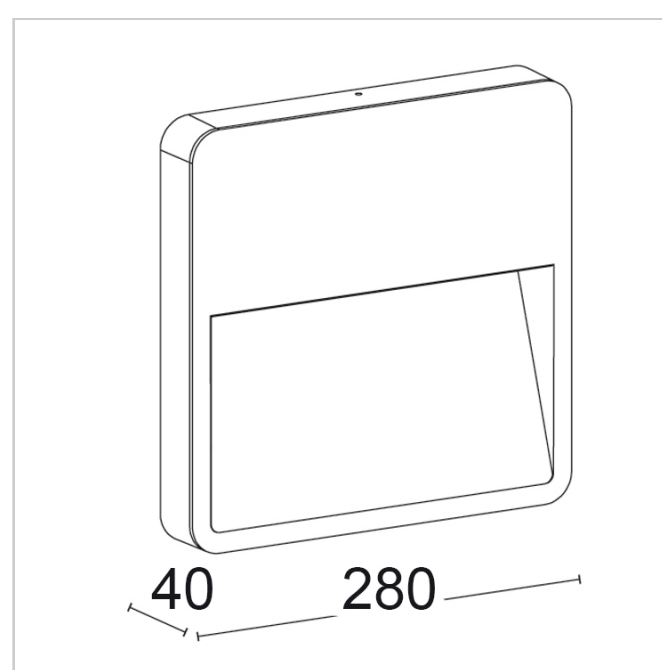


## Antares Square 8430W/WD35VT Wall - Square Wall luminaire DALI Asymmetrical Emission

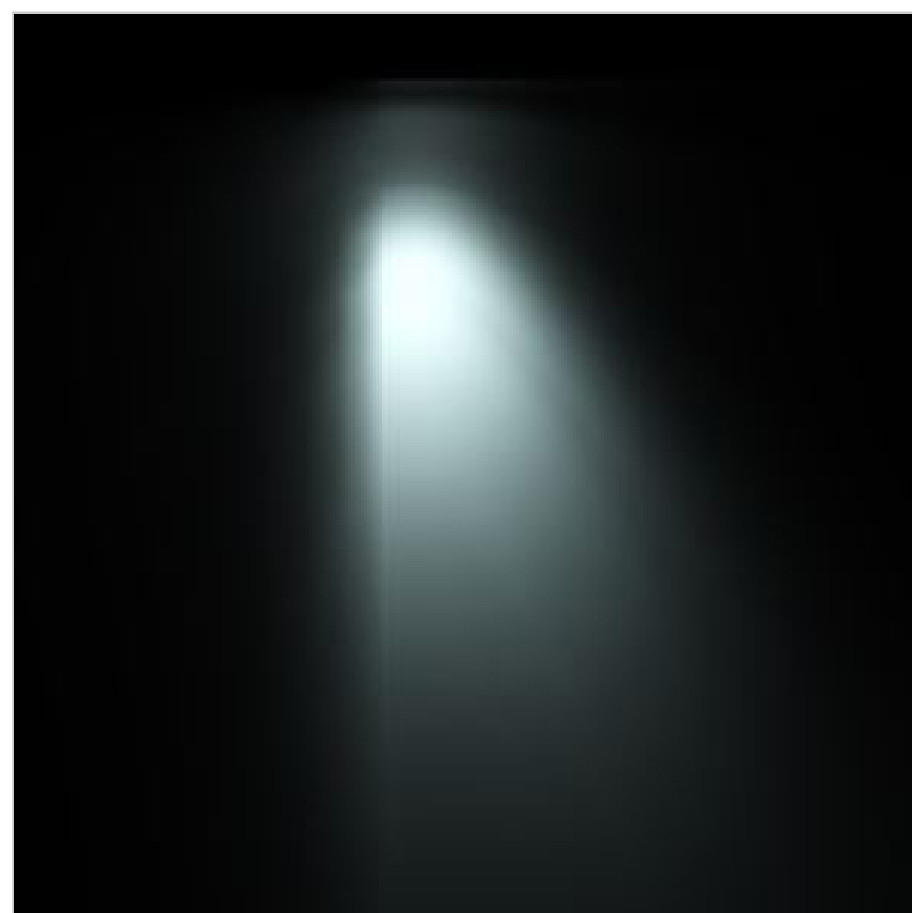
Rev. 04/11/2024



Square-shaped wall luminaire, characterized by an asymmetrical emission that makes it ideal for lighting walkways, pedestrian paths and all those applications where an adequate level of visibility on the horizontal plane is primarily required.



### PHOTOMETRICAL DATA



### FIXTURE SPECIFICATIONS

#### ASSEMBLY / USAGE

Wall installation

#### PROTECTION

IP 66 - IK 09

#### BODY

Die-cast aluminium

#### SCREEN

Extra-clear float glass 4mm with white diffusing silk-screen printing

#### SEALS

Closed-cell EPDM rubber

#### SCREWS

Stainless steel A2

#### PAINT / FINISHING

Anti-corrosive UV stabilised polyester powder

#### SIZES

H 280 x L 280 x W 40

### ELECTRICAL SPECIFICATIONS

#### POWER SUPPLY

220-240Vac 50/60Hz

#### DRIVER

Built-in

**DRIVER CURRENT**

500mA

**CONTROL**

DALI-2 integrated

**SPECIFIC WIRING**

Inclusa/Included

**POWER MODULE LED**

11W

**ABSORBED POWER**

13W

**SOURCE**

LED

**SOURCE FLUX**

1800 lm

**FIXTURE SOURCE**

630 lm

**APPARENT EFFICIENCY**

35 %

**INSULATION CLASS**

I

**OVERVOLTAGE PROTECTION**

2kV-4kV

**OPERATING TA**

50 °

**ENERGETIC CLASS**

A

**CCT LED**

3000K

**CRI**

&gt;80

**STEP MACADAM**

3

**LIFE TIME TM-21**

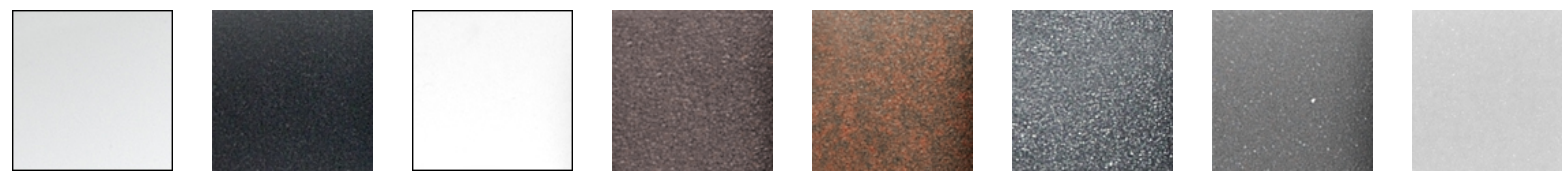
L80B10 80000h Ta 25°C

**PHOTOBIOLOGICAL RISK**

RG1

**BEAM OPENING**

Asymmetric &gt;35°

**COLORS****00**  
PURE  
WHITE RAL  
9016**01**  
BLACK RAL  
9005**10**  
WHITE RAL  
9010**24**  
BRONZE**25**  
RUST**30**  
ANTHRACIT  
E**35**  
SLATE  
GREY**40**  
GREY RAL  
9006**ACCESSORIES****E.TRA.580** Ultra compact type 2+3 hard wired surge protector  
L 37 x W 30 x H 30