

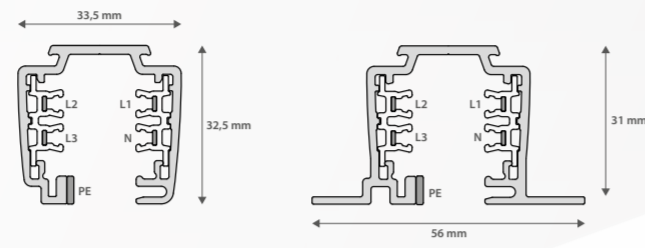
Pre-drilled mounting holes in the lighting track frame in every 500 mm.
Hole size 6x12 mm.



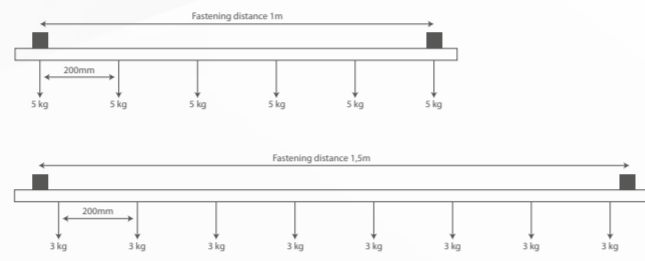
unipro® lighting tracks

Materials	The track's frame material is extruded aluminium. The insulation profiles inside the frame are plastic. The phase and neutral conductors are 2,5 mm ² rectangular copper, the earth contact is cut on the aluminium frame. The material of the plastic accessories is self-extinguishing polycarbonate, class V0. The surface treatment alternatives are powder-coated white (RAL9010), grey (RAL 7040), black (RAL9005) and anodised natural colour. All other painted RAL-colours and Decoral®-coatings are available by special order.
Conductors	Three phase conductors (L1, L2 ja L3), neutral (N) and ground (PE).
Protection class	Protection class 1 IP20.
Other	Can be cut on site to suitable dimensions. No need to bend or tool the power conductors after cutting.
Quality and safety	Tested in accordance with the standards EN60570 and EN60598.

Profile dimensions:

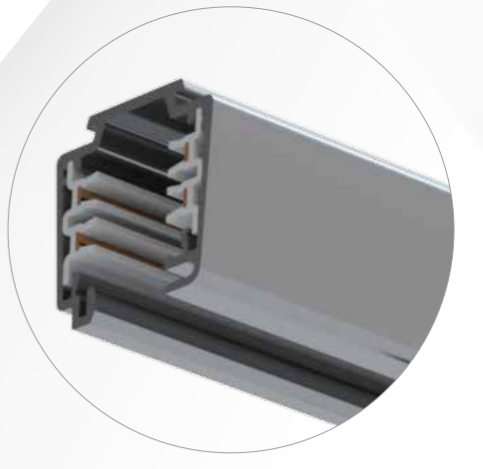


Load-bearing capacity:



Versatile lighting track

The unipro® lighting tracks are designed to be compatible with the most common spotlight systems. Flat copper conductors on the contact rail provide the best possible electrical contact between the adapters and the contact rail. To facilitate the installation, unipro® lighting tracks are equipped with pre-cut mounting holes at half a meter intervals.



Universal adapter

The unipro® A75 luminaire adapter is designed to be compatible with not only unipro® but also with the most of the other 3-circuit lighting tracks. A80BT bluetooth control unit is designed for easy wireless control – it can be installed to both new and already existing lighting track systems.



Fast to connect

The unipro® connection units have reliable and easy-to-use screw terminals for max. 2,5mm² solid or braided wires. Power supply option is available on most of the connector pieces, such as L-, T- and X-pieces.



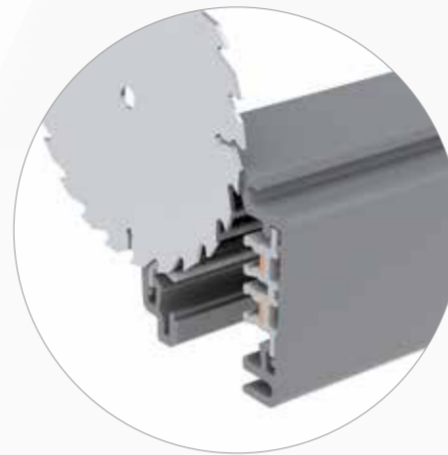
Smart lighting system

The unipro® A80BT bluetooth control unit enables the wireless control for the lighting with your smart device. The Casambi application can be downloaded for iOS and Android from the application store.

- No need to replace existing light switches.
- Turn luminaires on and off.
- Dim the lighting.
- Adjust color temperature and light color.
- Grouping of luminaires - also with scene photo.
- Lighting scenes and animations.
- Light and motion sensor.
- Scheduling by calendar, clock, and daylight.
- Remote control, Bluetooth Low Energy.



CASAMBI



Easy to cut

The standard lengths of the unipro® lighting tracks are 2, 3 and 4 meters. If necessary, the lighting track can be shortened to the desired length even on site. There is no need to bend or tool the copper conductors of the T3 lighting track after the cutting.



Freedom of choice

Basic colors are white, grey, black and anodised. By special order color and brightness for the installations with the perfect RAL color chart. More options for the designer and the end user with prestige Decoral® coatings.

unipro®

Advanced solutions for lighting.

The unipro® lighting track system is a great choice when planning lighting for private and public buildings such as offices, shopping centers, shops, museums, gyms and restaurants.

unipro® consists of high quality products, modern design and smooth installation. The versatile lighting track system offers flexibility in designing spotlight systems. The system provides you with impressive and state-optimized lighting - exactly where and how its needed.

The unipro® lighting track system includes surface and recessed 3-circuit lighting tracks, adapters and a wide range of mounting accessories. The standard lengths of the lighting tracks are 2, 3 and 4 meters. Due to its universal and modular design, the system is easy to expand and adapt to the customer's wishes and requirements. Adjustable and reversible L-corners with changeable earthing options are the pearls of the product development.

The unipro® lighting track system has been tested in accordance with EN 60570 and EN 60598 standards. In production each product is tested after manufacture.

Contact us

Address: Unipro Oy Ltd.
Konetie 25
90620 Oulu
Finland

+358 20 7450 800
info@unipro.fi

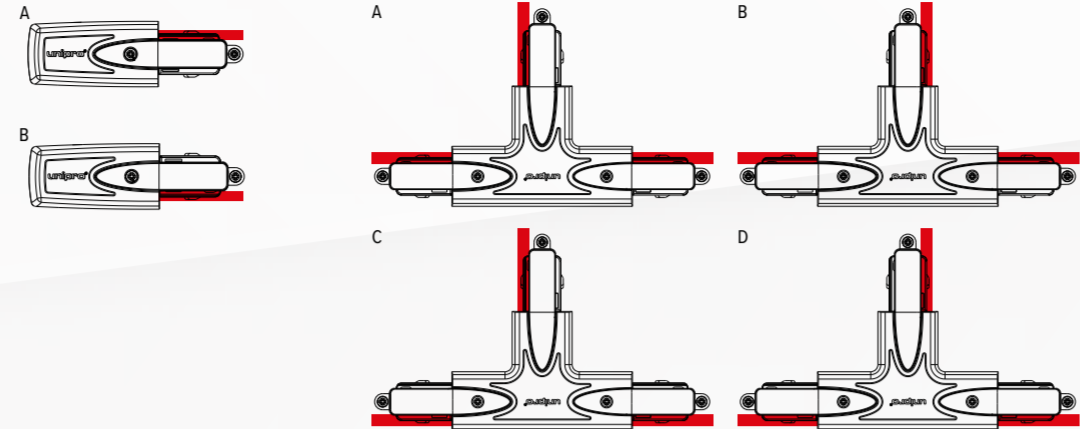
unipro®

Lighting track intelligence.



Unipro Oy Ltd.
Konetie 25, FIN-90620 Oulu
+358 207 450 800
www.unipro.fi





Monopoint MP

Code	Name	Color
1459040	MP W	white
1459042	MP G	grey
1459041	MP B	black

Adjustable wire suspension set WS

Code	Name	Length
1459410	WS15	length 1,5 m
1459411	WS40	length 4,0 m
1459412	WS60	length 6,0 m
1459415	WS15B	black, length 1,5 m
1459416	WS40B	black, length 4,0 m

Pendant bracket PB

Code	Name	Color
1459407	PB W	white
1459408	PB G	grey
1459409	PB B	black

Pendant coupler PC

Code	Name	Color
1459431	PC W	white
1459432	PC G	grey
1459433	PC B	black

Extension nut JM M6

Code	Name
1459425	JM M6 EG

Quick connector QC3

Code	Name	Color
1459100	QC3G	grey

Quick ceiling bracket QCB

Code	Name	Color
1459421	QCB W	white
1459422	QCB G	grey
1459423	QCB B	black

Joining unit JU3

Code	Name	Color
1459199	JU3	white, grey, black

Adjustable wire suspension set with hook WS H

Code	Name	Length
1459414	WS40H	length 4,0 m

Connection unit CU3

Code	Name	Color	Earthing
1459121	CU3A W	white	earthing A
1459122	CU3B W	white	earthing B
1459221	CU3A G	grey	earthing A
1459222	CU3B G	grey	earthing B
1459321	CU3A B	black	earthing A
1459322	CU3B B	black	earthing B

Ceiling bracket with cup CBC

Code	Name	Color
1459434	CBC W	white
1459435	CBC B	black

M6 threaded rod GT-6

Code	Name	Length
1459420	GT-6 EG	length 1 m

Nut MU M6

Code	Name
1459427	MU M6 EG

Ceiling bracket CB3

Code	Name	Color
1459401	CB3 W	white
1459402	CB3 G	grey
1459403	CB3 B	black

Adjustable pendant bracket PBA

Code	Name	Color
1459404	PBA W	white
1459405	PBA G	grey
1459406	PBA B	black

Adjustable corner ALC3

Code	Name	Color
1459151	ALC3 W	white
1459251	ALC3 G	grey
1459351	ALC3 B	black

Cover strip CS3

Code	Name	Color
1459444	CS3 W	white
1459445	CS3 B	black

Suspension clamp SC3

Code	Name	Color
1459440	SC3 W	white
1459441	SC3 G	grey
1459442	SC3 B	black

Suspension hook SH

Code	Name
1459443	SH

X-piece LC3

Code	Name	Color
1459171	XA3W	white
1459271	XA3G	grey
1459371	XA3B	black

T-piece TA3

Code	Name	Color	Earthing
1459161	TA3AW	white	earthing A
1459162	TA3BW	white	earthing B
1459163	TA3CW	white	earthing C
1459164	TA3DW	white	earthing D
1459261	TA3AG	grey	earthing A
1459262	TA3BG	grey	earthing B
1459263	TA3CG	grey	earthing C
1459264	TA3DG	grey	earthing D
1459361	TA3AB	black	earthing A
1459362	TA3BB	black	earthing B
1459363	TA3CB	black	earthing C
1459364	TA3DB	black	earthing D

L-piece LC3

Code	Name	Color
1459141	LC3W	white
1459241	LC3G	grey
1459341	LC3B	black

Wall bracket WB

Code	Name	Color
1459436	WB W	white
1459437	WB B	black

End cap EC3

Code	Name	Color
1459181	EC3W	white
1459281	EC3G	grey
1459381	EC3B	black

Middle connection unit MCU3

Code	Name	Color
1459131	MCU3W	white
1459231	MCU3G	grey
1459331	MCU3B	black

Bluetooth control unit A80

Code	Name	Color
1459017	A80BT W	white
1459019	A80BT G	grey
1459018	A80BT B	black
1459020	A80BT-TE W	white
1459022	A80BT-TE G	grey
1459021	A80BT-TE B	black

Surface 3-phase lighting tracks

Code	Name	Length
1459103	T33W	white, length 3 m
1459233	T33G	grey, length 3 m
1459303	T33B	black, length 3 m

Recessed 3-phase lighting tracks

Code	Name	Length
1459113	T33FW	white, length 3 m
1459183	T33FG	grey, length 3 m
1459313	T33FB	black, length 3 m

Power take-off adapter A100

Code	Name	Color
1459011	A100W	white
1459013	A100G	grey
1459012	A100B	black

Luminaire adapter A75

Code	Name	Color
1459014	A75W	white
1459016	A75G	grey
1459015	A75B	black